

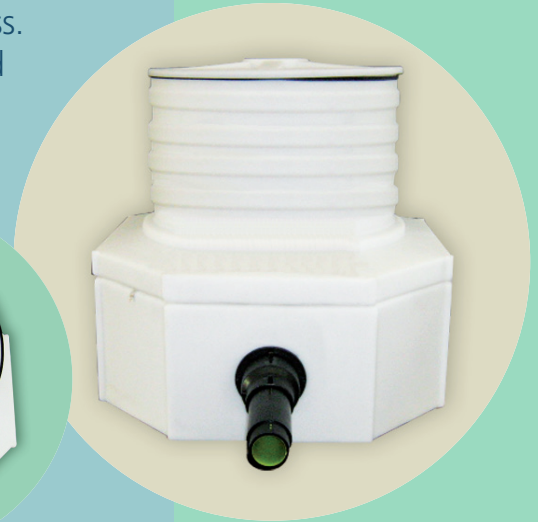
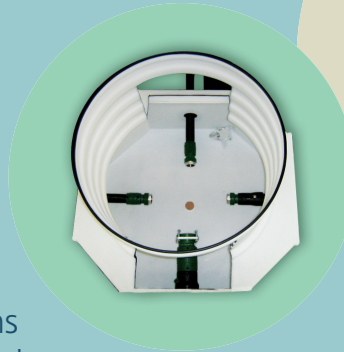
MANY HAVE SOMETHING... NUPIGECO HAS IT ALL!!!

Tank Sump

The two piece tank sump is manufactured using HDPE. The base and riser can be welded through the electrofusion process. They provide access to pumps, fittings and valves and are designed to be a liquid tight containment device preventing the release of product into the environment and the entry of any external liquid.

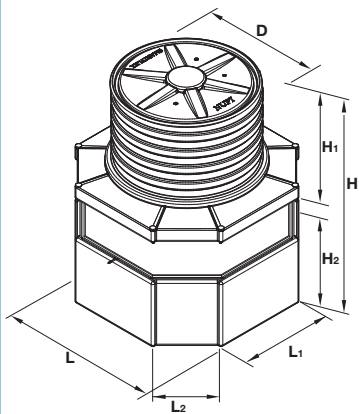
BENEFITS:

- Ease of installation
- Adjustable height
- Durability
- Structural integrity
- Reduced shipping costs
- Vacuum or pressure testable
- Ideal to meet most forecourt configurations
- Also available a clamping system to be used with tank sump covers allowing the tightness of the entire system
- Cooler temperature and more natural light inside thanks to the new white colour.

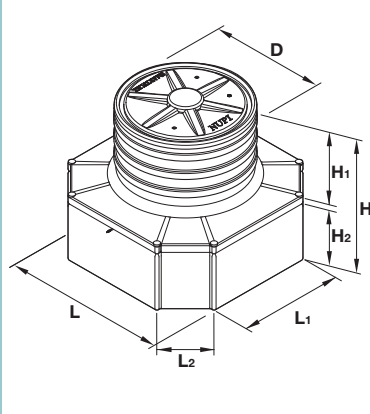


TANK SUMPS ARE AVAILABLE IN THE FOLLOWING SIZES:

Electrofusion Tank Sump
Model S22TS



One-piece Tank Sump
Model STS



Model	D	L	L1	L2	H	H1	H2
S22TS4536	783.4 mm (31")	1143 mm (45")	700 mm (28")	273 mm (11")	990.6 mm (39")	549.6 mm (22")	381 mm (15")
S22TS5238	958 mm (38")	1306 mm (51")	700 mm (28")	388 mm (15")	1284.3 mm (51")	684.3 mm (27")	500 mm (20")

Model	D	L	L1	L2	H	H1	H2
STS4536	783 mm (31")	1143 mm (45")	700 mm (28")	273 mm (11")	990.6 mm (39")	549.6 mm (22")	381 mm (15")
STS5238	958 mm (38")	1306 mm (51")	700 mm (28")	388 mm (15")	1284.3 mm (51")	684.3 mm (27")	500 mm (20")
STS5238HBD	958 mm (38")	1306 mm (51")	700 mm (28")	388 mm (15")	1284.3 mm (51")	684.3 mm (27")	500 mm (20")

• maximum burial depth 1500mm (59")

N.B. For the correct installation, please refer to our assembly instruction.

561 TS flyer_010812

Registered Office and Headquarters
via Stefano Ferrario
21052 Busto Arsizio (VA) Italy
Tel. +39 0331 344211
Fax +39 0331 351860
info@nupigeco.com
www.nupigeco.com

Production, Operations and Administration Centre
via dell'Artigianato 13
40023 Castel Guelfo (BO) Italy
Tel. +39 0331 344211
Fax +39 0542 670851
info@nupigeco.com
www.nupigeco.com

Production Facility
via Colombarotto 58
40026 Imola (BO) Italy
Tel. +39 0331 344211
Fax +39 0542 670851
info@nupigeco.com
www.nupigeco.com

U.S.A. Subsidiary Nupi Americas, Inc.
1511 Superior Way,
Houston, TX 77039
Tel. +1 281 590 4471
Fax +1 281 590 5268
info@nupiamericas.com
www.nupiamericas.com